

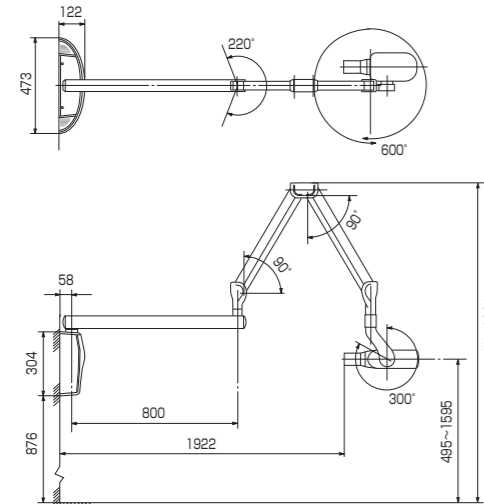
# PHOT-X II

DC Dental X-ray

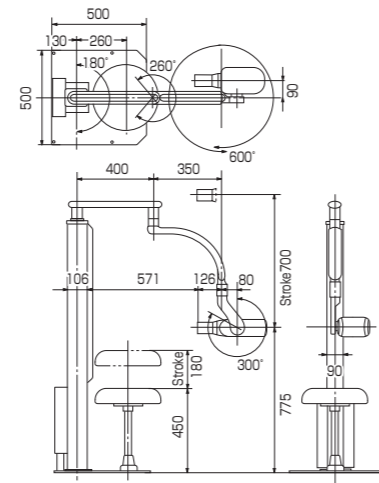
## Dimensions

[SCALE : 1/40]

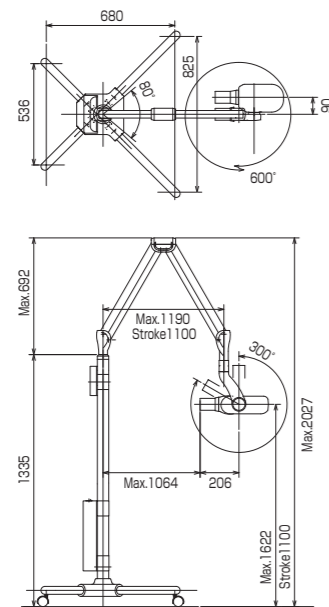
303-WK



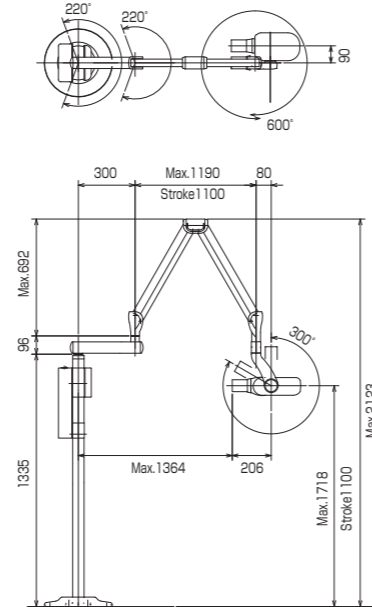
303-RK



303-FM



303-FK1



[mm]

# PHOT-X II

DC Dental X-ray



Belmont

**Belmont**

**Takara Belmont Corporation**

1-1,2-Chome,Higashi-Shinsaibashi, Chuo-ku,  
Osaka 542-0083, Japan  
Tel :+81 6 6213 5945  
Fax :+81 6 6212 3680  
<http://www.takara-net.com>



### Reduced dosage with radiation

DC constant potential decreases soft x-ray absorbed to the patient's tissue. The tube voltage (60 kV or 70 kV) and tube current (4 mA or 7mA) and exposure time are easily selectable in accordance with the patient type. This helps avoid over



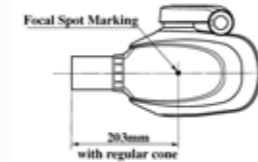
### Ideal for digital imaging system and film

The shortest exposure time is only 0.01 sec. and compatible for any type of digital imaging system. The pre-programmed timer is selectable for digital system and two different types of films. A total of 16 film



### Easy to position compact tube head

High frequency technology allows for the lightweight (4kg) compact easy to hold design tube head. This enables the operator to align the tube accurately each and every time for re-producible high contrast crisp radiographs with excellent image quality. The focal spot is set central to the head allowing for a shorter cone to be used



# PHOT-X II

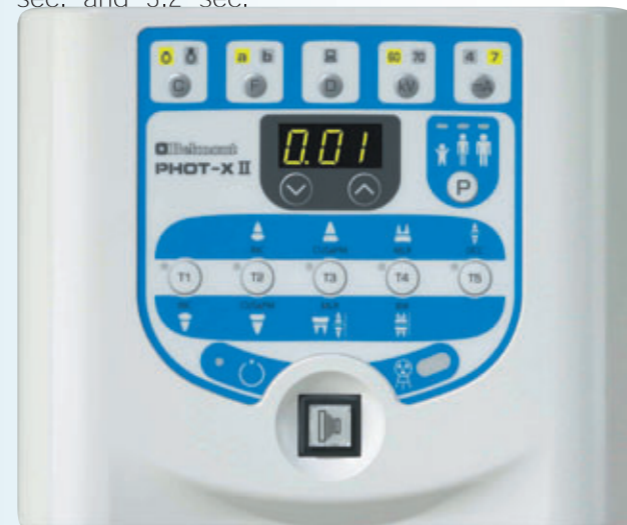
New Generation Multi Function DC X-ray by Belmont

Belmont's High Frequency Technology allows for

- Reduced skin dosage with optimum radiation level for every diagnostic need
- Ideal matching for digital imaging system
- Easy to position compact head

### Easy adjustment of Optimum radiation level for every patient

The operation is simple. Select tooth, select patient type and press exposure switch. Selection of cone length, film type or digital sensor, tube current (mA) and tube voltage (kV) . The manual override timer allows the operator to personalize the film density, settings between 0.01 sec. and 3.2 sec.



### Four types of installations

- WK Wall mounted type
- RK Room type with stool
- FM Mobile type with castors
- FK Floor mounted. Controller can be installed on the pole (FK1) or on the wall (FK2)



303-WK



303-RK



303-FM



303-FK1

### Optional

- Long cone for paralleling technique
- Rectangular cone
- Hand exposure switch (standard for FM/FK1/FK2)



Hand exposure switch ▲

### Technical Specifications

Focal point measurements	0.7 mm x 0.7 mm
Rated tube potential	60 kV / 70 kV (selectable)
Rated tube current	4 mA / 7 mA (selectable)
Rated line voltage	100/110/120/220/230/240 V AC 50/60Hz
Rated line current	10.8A (100V/110V/120V)
	6.6A (220V/230V/240V)at 70kV/7mA
Line voltage range	±10%
Exposure time	0.01 to 3.2 sec.
Total filtration	2.0 mmAl equivalent at 70kV
Source-to-skin distance	
Regular cone	203 mm
Long cone (option)	305 mm
Rectangular cone (option)	203 mm
Duty cycle	1:50
Half value layer	1.5 mmAl over
Density preprogram	
Film	16 programs
Digital Sensor	16 programs