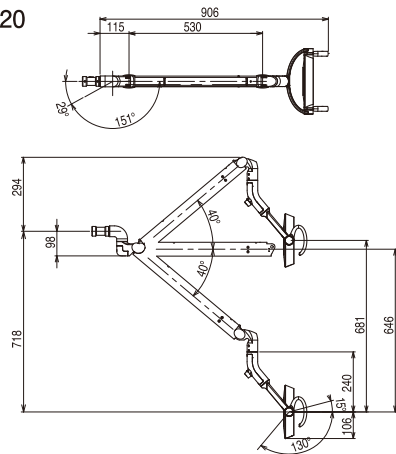


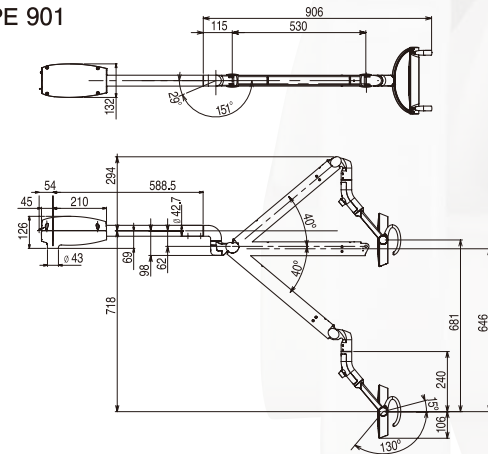
DENTAL LIGHT 900

Dimensions

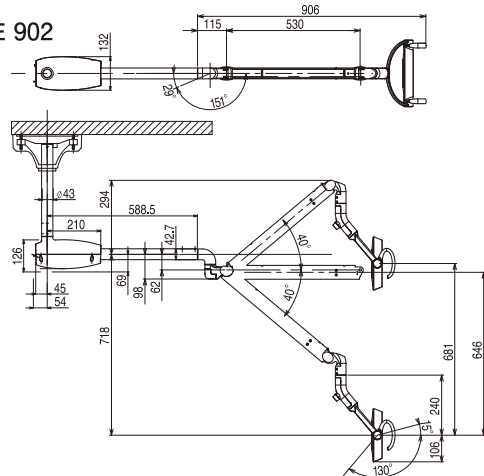
TYPE 920



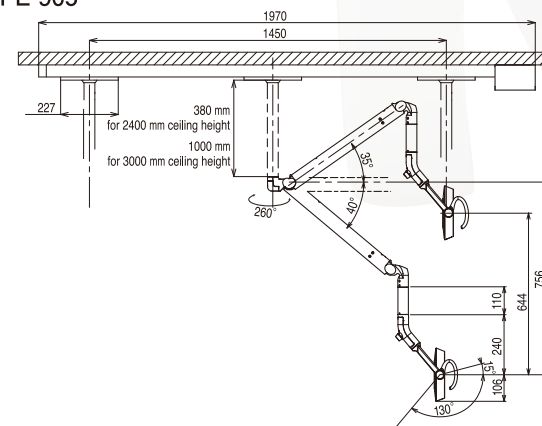
TYPE 901



TYPE 902



TYPE 905



(mm)

Specifications

■ Rating Voltage	100 ~ 240 V 50/60 Hz (AL920: DC20 V)	■ Color rendering index	More than 90
■ Intensity	4,000 ~ 35,500 lx (Stepless) 5,500 lx at composite safe mode	■ Focal Distance	650 mm
■ Color temperature	5,000° Kelvin at any intensity	■ Light pattern	85 mm x 155 mm
		■ Bulb Type	High Rendering LED

The manufacturers reserve the right to alter and improve the specification without notice.



TAKARA BELMONT CORPORATION

2-1-1, Higashishinsaibashi, Chuo-ku, Osaka, 542-0083, Japan
 TEL: +81 (0)6 6213 5945
 FAX: +81 (0)6 6212 3680
<http://www.takara-net.com>

BOOK NO.D-048
 Printed in Japan 1701TO



Correct Color Rendering
Easy On The Eyes
Easy Operation



Brightness distribution

900 DENTAL LIGHT is engineered to minimize eye fatigue. The rectangular light pattern is brightest inside of the oral cavity and gradually becomes less bright across the patient's cheek area.



Fluid positioning

Smooth, three-axis light head rotation permits stress-free light head positioning with one hand. Positioning flexibility directs illumination to area where it is needed.



Intensity adjustment

Each operator has different ambient light conditions. With this in mind, 900 DENTAL LIGHT lights include a stepless intensity control to adjust brightness to fit the actual operator light condition. Light output can be adjusted between 4,000 lx and 35,500 lx, while maintaining the 5,000°K color temperature that is ideal for shade matching.



900 DENTAL LIGHT provides cool white LED illumination of the oral cavity for correct tooth shade matching and for the differentiation of soft tissue structure.

The well-defined, 85mm x 155mm rectangular light pattern remains unaffected when an obstruction of up to 50% of light head is placed between the light and patient.

900 DENTAL LIGHT operation is sensor activated, so it is not necessary to look away from patient to operate light. Touchless ON/OFF and Composite Safe Mode activation are done without ever contacting the light.

Long Life

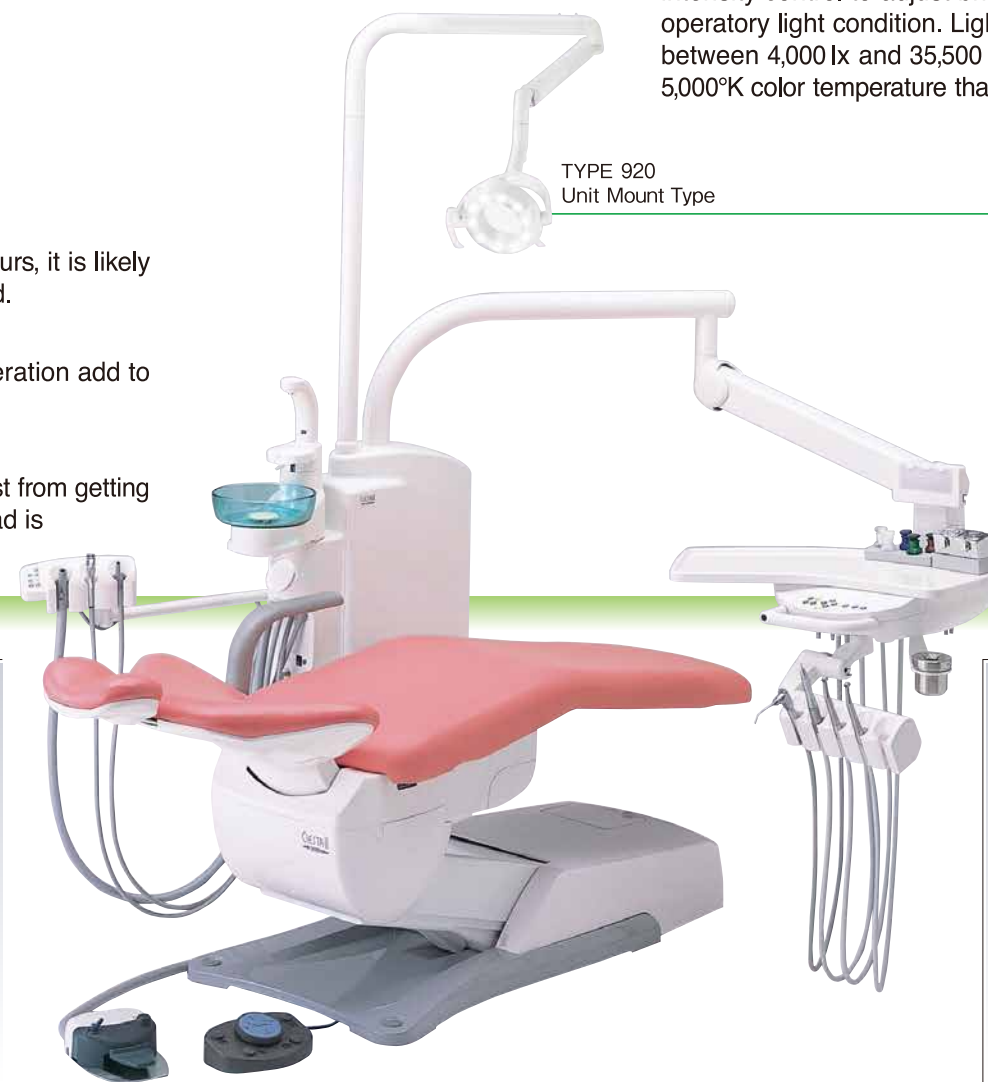
With LED bulb life expectancy of 40,000 hours, it is likely that bulb replacement will never be needed.

Economical

Low power consumption and no heat generation add to long term savings and to patient comfort.

Cleaning

Clear bulb cover ring prevents mists and dust from getting inside of the light head. The entire light head is easily cleaned.



TYPE 920
Unit Mount Type



TYPE 902
Ceiling Mount Type



TYPE 905
Track Mount Type



TYPE 901
Post Mount Type
(post not included)

Installation Variations