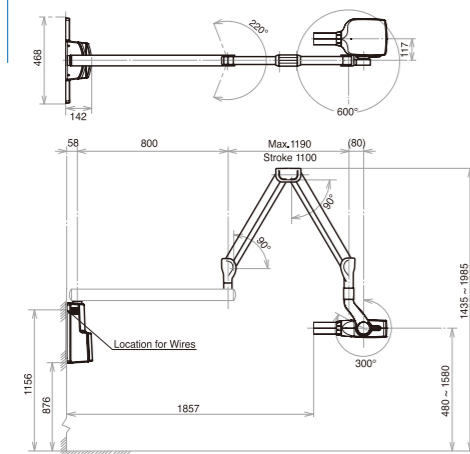


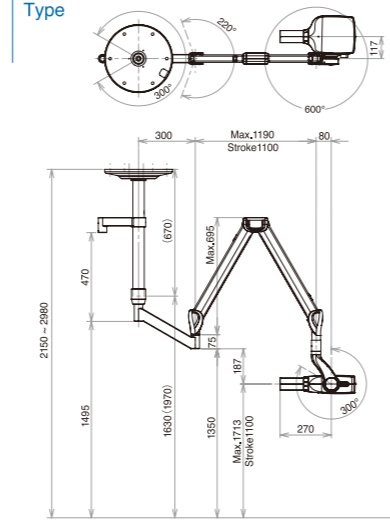
# BELRAY II 097 Intraoral X-Ray

## Dimensions

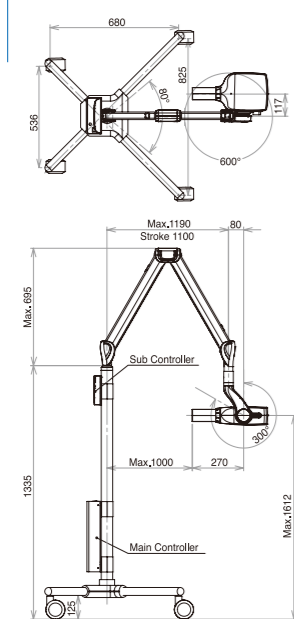
WK Type



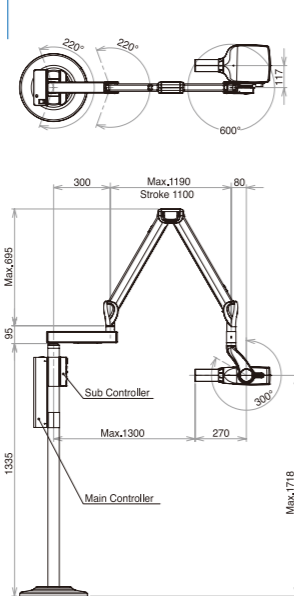
CK / CKL Type



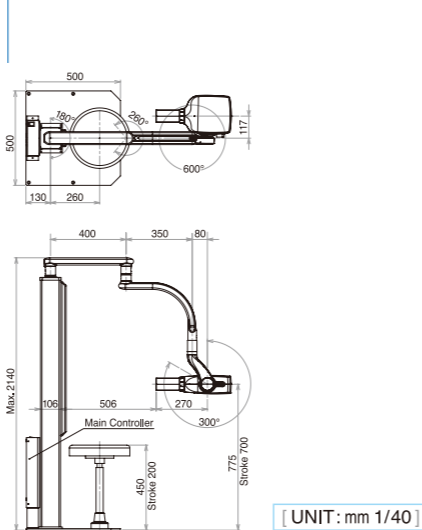
FM Type



FK1 / FK2 Type



RK Type



[ UNIT : mm 1/40 ]

## Specifications

Nominal focal spot value	0.7 mm (IEC60336)
Rated peak tube potential	70 kV
Rated tube current	4 mA / 7 mA (selectable)
Rated line voltage	100 / 110 / 120 / 220 / 230 / 240 V AC 50 / 60 Hz
Rated line current	7.8 A (100 / 110 V) at 70 kV / 7 mA
	6.5 A (120 V) at 70 kV / 7 mA
	3.4 A (220 / 230 / 240 V) at 70 kV / 7 mA
Line voltage range	± 10 %
Exposure time	0.02 ~ 3.2 sec
Minimum filtration permanently in useful beam	2.2mAl equivalent at 70 kV (peak)
Source to skin distance	Regular cone : 204 mm
	Long cone (option) : 305 mm
Duty cycle	1:50 (0.5 sec. exposure with 25 sec. interval)
Density program	Film : 16 settings (F.00 ~ F.15)
	Digital sensor : 16 settings (d.00 ~ d.15)

The manufacturers reserve the right to alter and improve the specification without notice.



**TAKARA BELMONT CORPORATION**

2-1-1, Higashishinsaibashi, Chuo-ku, Osaka, 542-0083, Japan  
 TEL : +81 (0)6 6213 5945  
 FAX : +81 (0)6 6212 3680  
<http://www.takara-net.com>

BOOK NO. D-011  
 Printed in Japan 1111MA

Intraoral X-Ray

# BELRAY II 097



risp digital or film radiographic imaging

- \*Easy to use, intuitive controls
- \*Digital imaging switch
- \*Compact control module
- \*Control module can be mounted on central power console or on a wall
- \*70 kVp tube potential
- \*Selectable tube current : 4 mA, 7mA
- \*Small 0.7 mm focal spot for detailed images